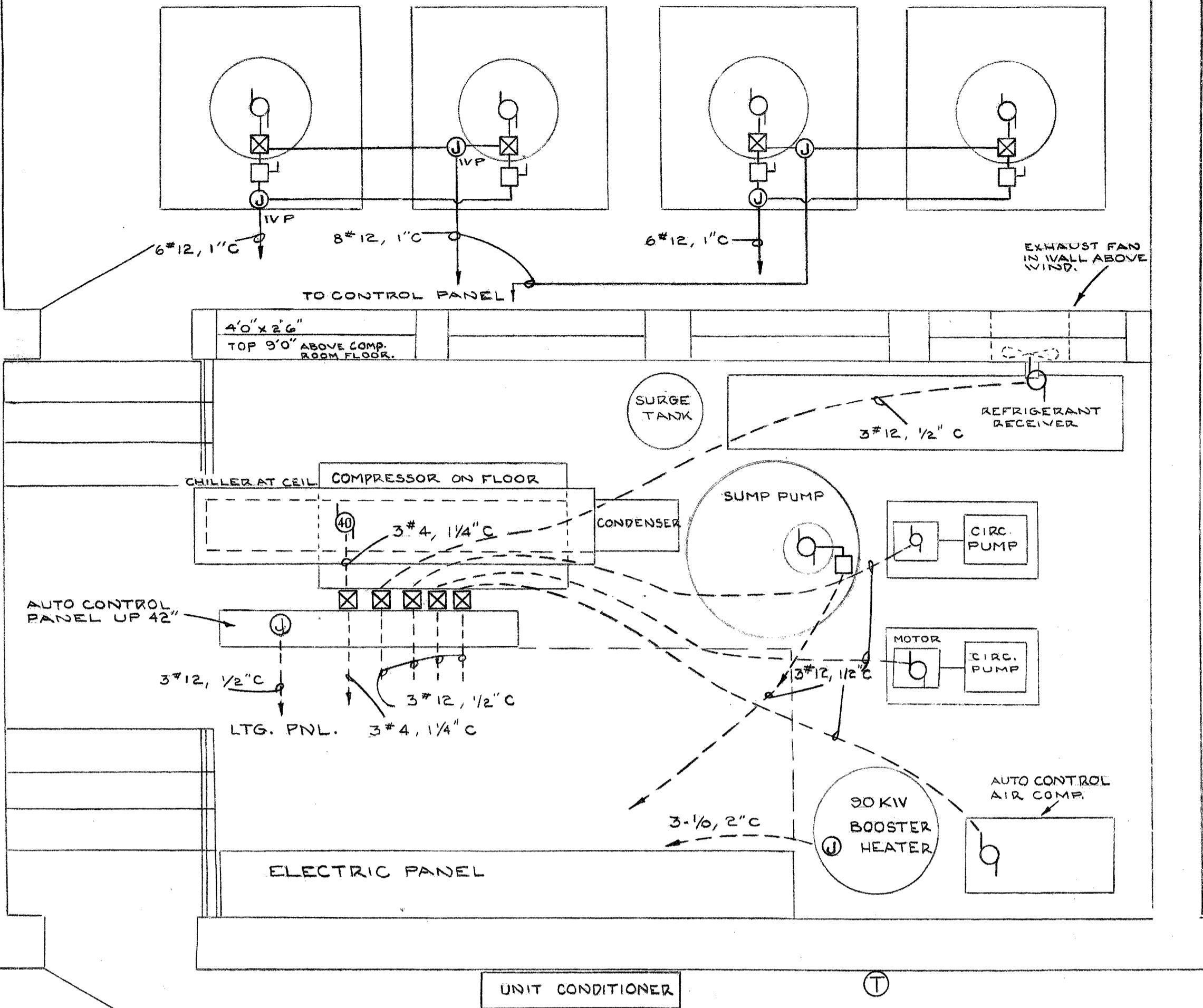
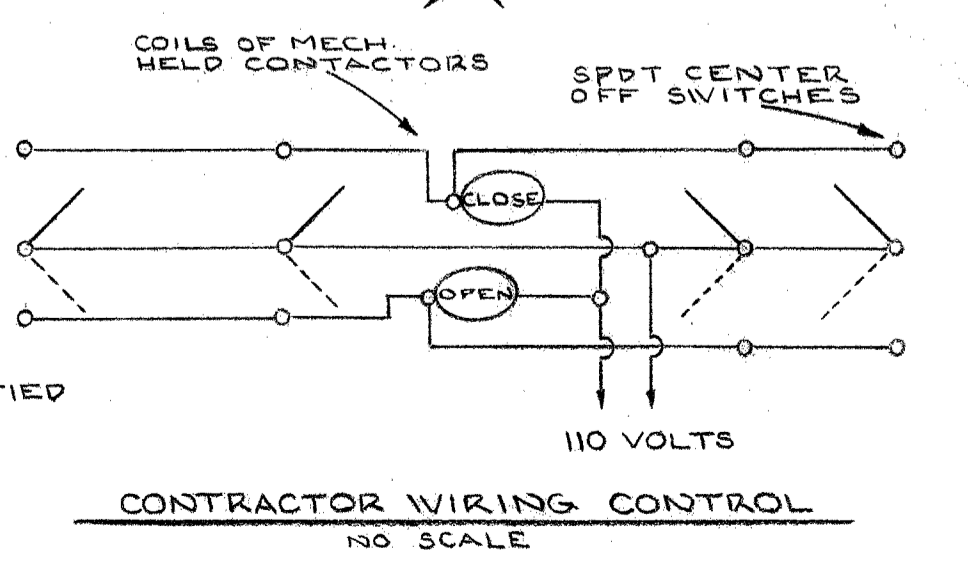
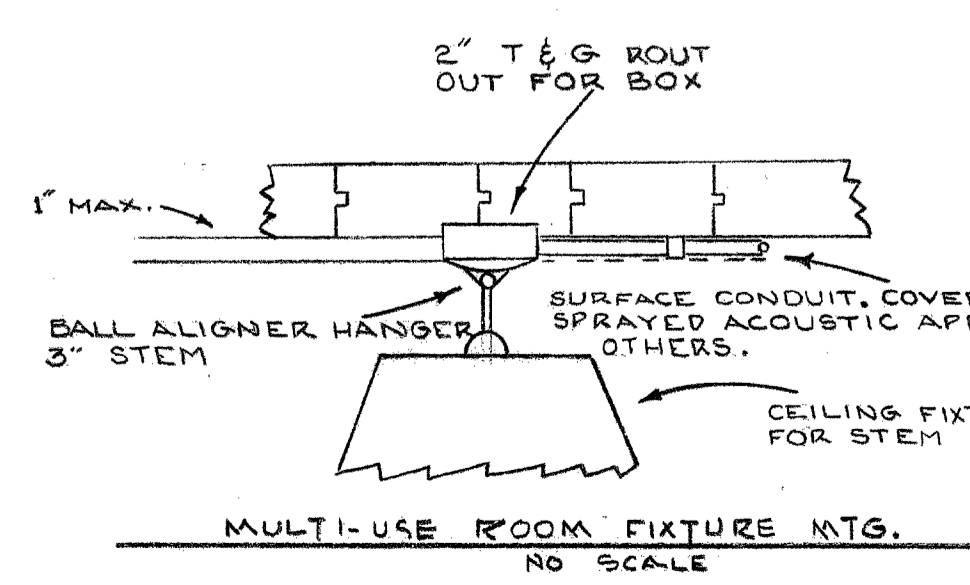
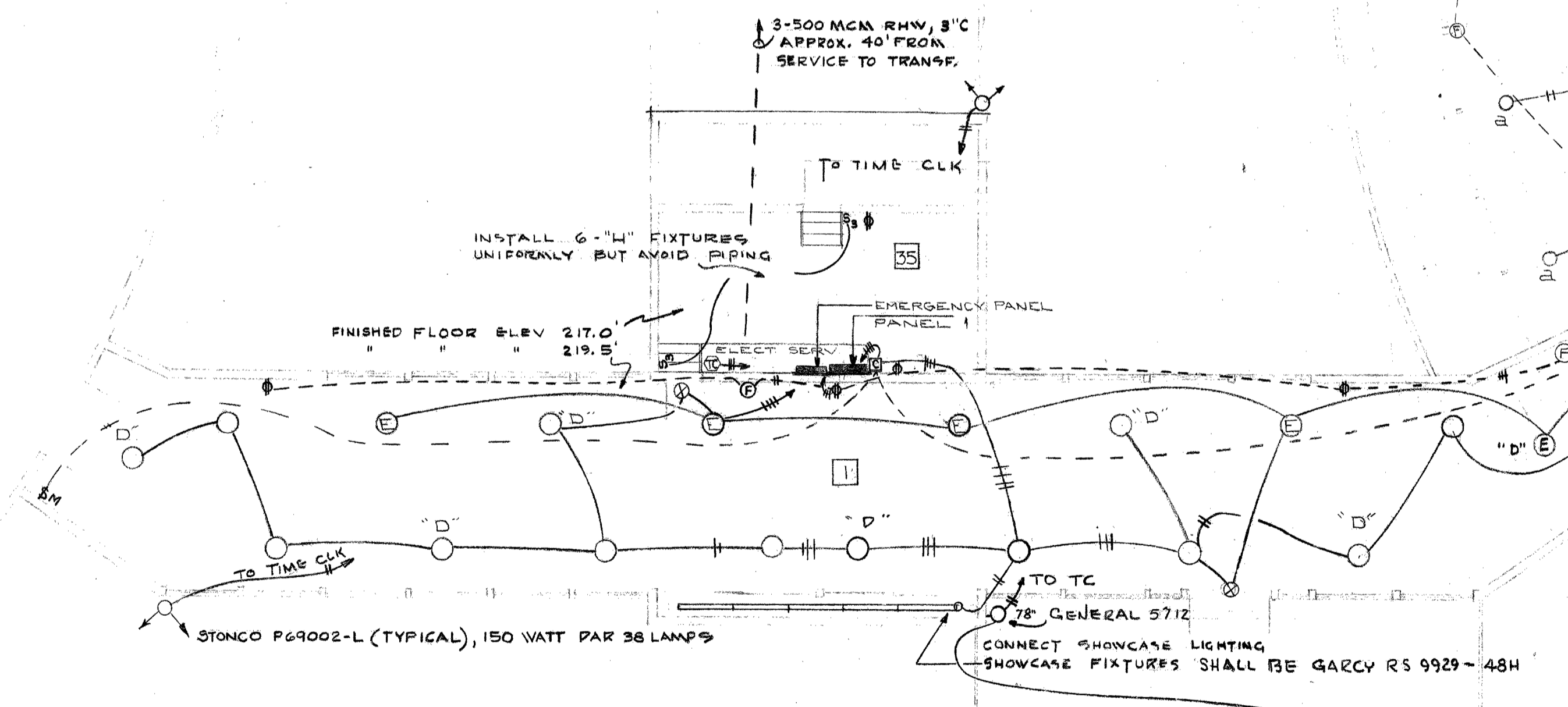
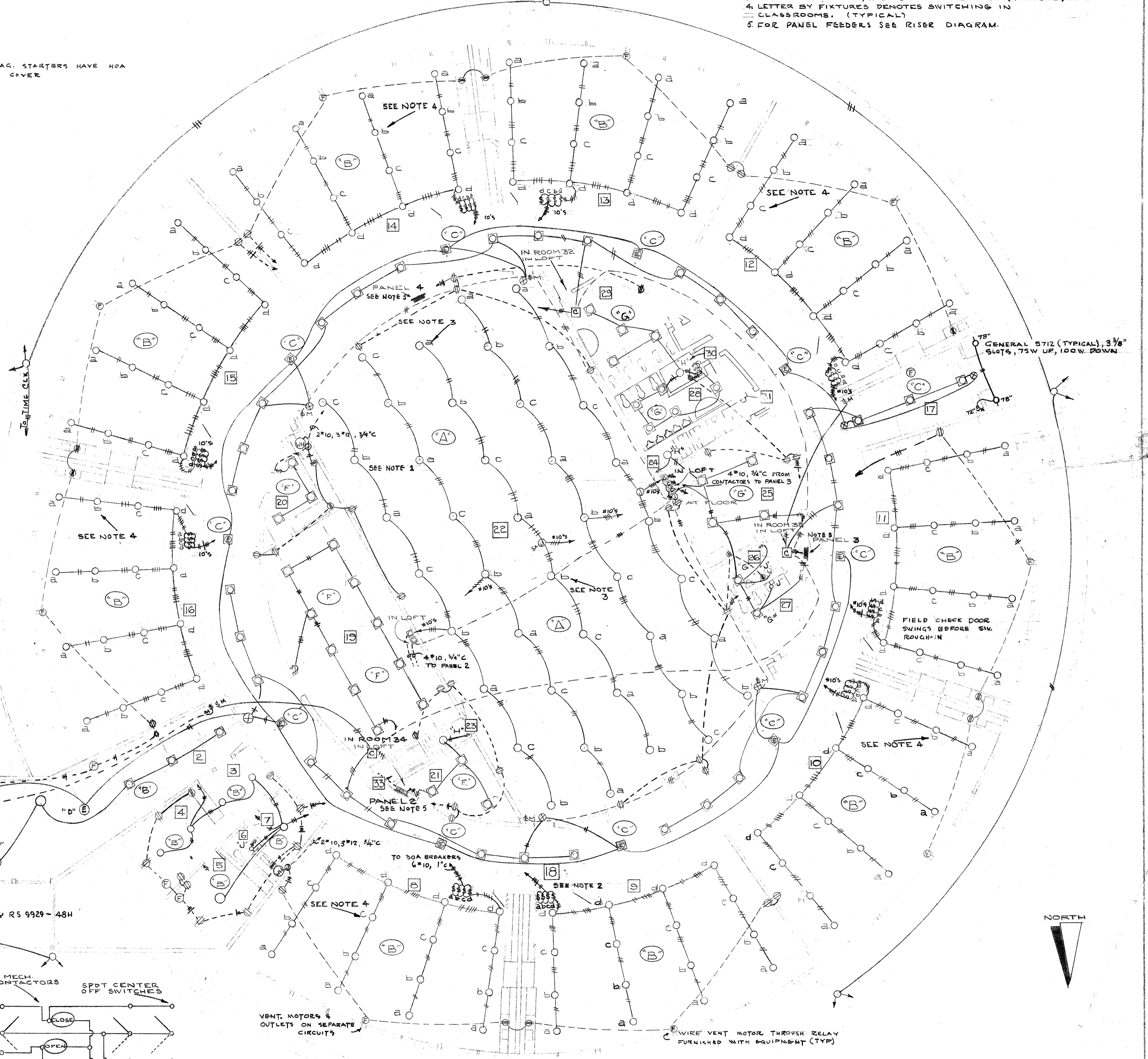


- NOTE 1: SHALLOW PANS (AS SPECIFIED) LIMITED TO 2 CONDUCTORS AT END OF RUN. ROUT IN DEEPER (1/2" MIN), AS SHOWN IN DETAIL, BOXES.
- NOTE 2: EACH CLASSROOM LIGHTING FED BY 4-30A TP CIRCUITS, #10 CONDUCTORS.
- NOTE 3: FED FROM PHASE A, B OR C AS INDICATED. (TYPICAL)
- NOTE 4: LETTER BY FIXTURES DENOTES SWITCHING IN CLASSROOMS. (TYPICAL)
- NOTE 5: FOR PANEL FEEDERS SEE RISER DIAGRAM.



MAG. STARTERS HAVE HOA IN COVER



REGISTERED PROFESSIONAL ENGINEER
4158
J. R. DOWNING & ASSOCIATES
CONSULTING ENGINEERS
910 N. E. 25th AVE. - PORTLAND, ORE.

	JAMES C. GARDINER A.I.A. ARCHITECT 3158 S.W. 87th AVENUE - PORTLAND, OREGON - CY 2-3727	
	ADDITION TO YOSE ELEMENTARY SCHOOL SCHOOL DIST. NO. 48 WASHINGTON COUNTY OREGON	
DATE 1-21-62 FILE NO. 61-691	TITLE OF SHEET LIGHTING PLAN	SHEET NUMBER E-1013