

GRILLE SCHEDULE			
SYMBOL	Mftr.	TYPE	SIZE
G-1	Tuttle and Bailey	T 64	36" x 12"
G-2	"	T70 DG	36" x 24"
G-3	"	T70 D	30" x 18"
G-4	"	T70 DG	12" x 6"
G-5	"	T110 D	12" x 6"
G-6	"	T55	14" x 4"

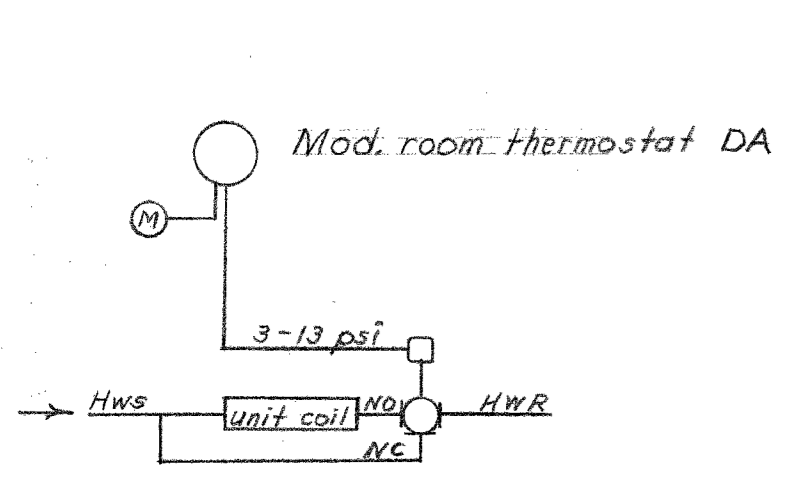
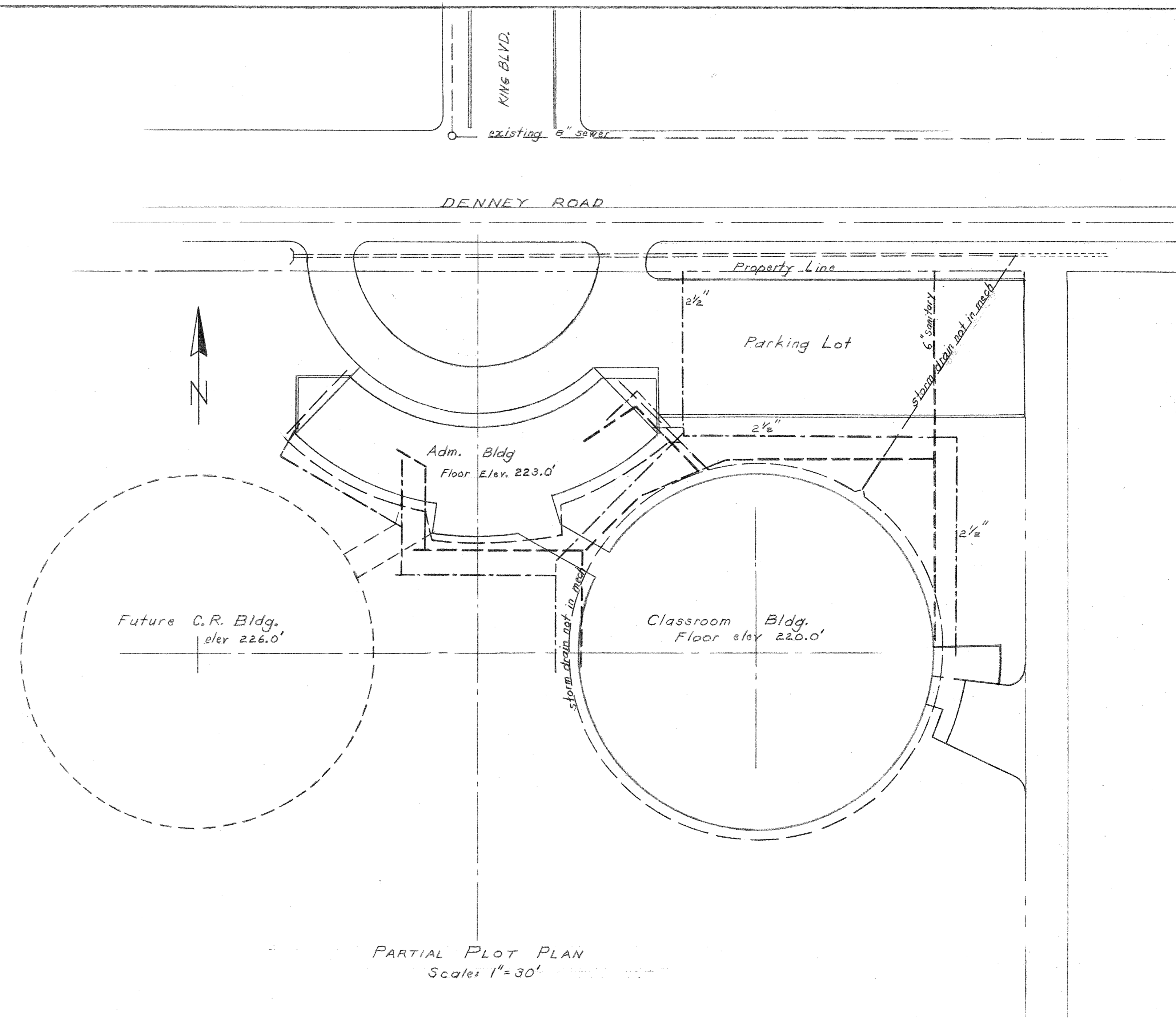
PLUMBING FIXTURE SCHEDULE						
SYMBOL	FIXTURE	WASTE	VENT	C.W.	H.W.	REMARKS
HB	Hose Bib	—	—	1"	—	
C.O	Cleanout	—	—	—	—	
W.C.	Water Closet	4"	2"	1"	—	
LAV.	Lavatory	1 1/2"	1 1/2"	1/2"	1/2"	
S.S.	Service Sink	2"	2"	3/4"	3/4"	
F.D.	Floor drain	2 3/4"	2"	—	—	
T.D.	Trench drain	4"	—	—	—	
D.F.	Drinking Fountain	1 1/2"	1 1/2"	1/2"	—	
CRS	Classroom Sink	2"	1 1/2"	3/4"	—	cold water only
WRS	Workroom sink	2"	1 1/2"	1/2"	1/2"	
U	Urinal	2"	2"	3/4"	—	
W.F.	Washfountain	2"	2"	1/2"	1/2"	

ROOM FAN UNIT SCHEDULE						
Symbol	Type	cfm static	E.W.T.	L.W.T.	E.A.T.	L.A.T.
U-1	Unit Ventilator	1250	115°	95°	60°	70°
U-2	"	"	"	"	"	"
U-3	Unit Conditioner	400	115°	95°	60°	92°
U-4	"	"	"	"	"	"
U-5	"	300	"	"	"	"
U-6	"	400	"	"	"	"

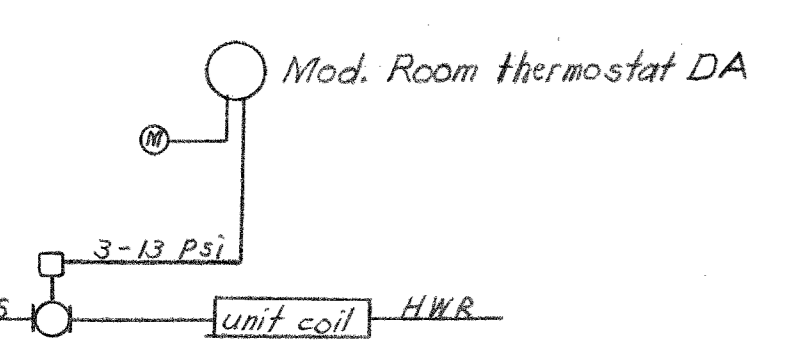
no OSA damper
with OSA "
with OSA "
no damper

Miscellaneous Equipment

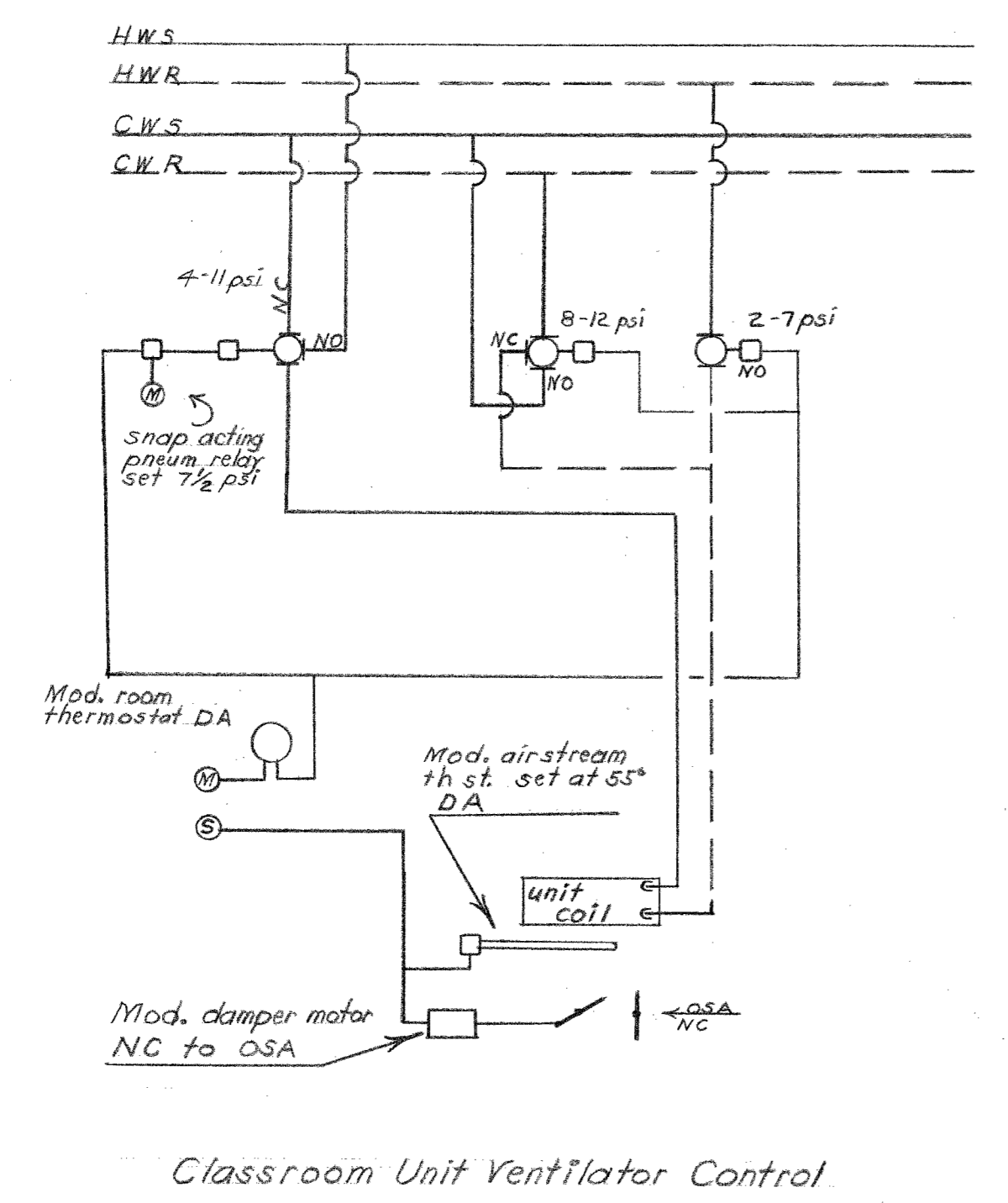
- Multipurpose room supply fan unit. 8000 cfm at 3/8" ext s.p.
- HP 480 volt 1725 rpm single speed 60 cycle 3 phase. Outlet velocity not over 1200 fpm. Coil face velocity not more than 400 fpm. Filter face velocity less than 260 fpm. Cool 8000 cfm from 78°F DB and 65°F WB to 66°F DB and 58°F WB with 16 GPM of 46°F entering chilled water. Coil to have not less than 4 rows. Water p.d. not to exceed 4.0 FT H₂O. Furnish mag. starter with 480 volt coil.
- Heat pump units. Outdoor units with nominal capacity not less than 7 1/2 Tons. 480 volt 60 cycle 3 ph. Unit shall be mounted so that vibration will not be transmitted to bldg. Mftr shall be Carrier, Typhoon or Lennox.
- Condenser/chiller. capacity 90,000 Btu at 46°F L.W.T. with 2.5 GPM circulating and with 40°F refrigerant temperature. Water p.d. not more than 4.0 FT H₂O.
- Exhaust fan. Capacity 1800 cfm at 1/2" sp. 1/2 HP 480 v/60c/3ph UBD CW utility set. Furnish mag. starter with 480 volt coil.
- Domestic Hot Water recirculating pump 10 GPM at 7 ft. Furnish manual surface mount motor protective switch.
- Expansion tanks 30 gallon. one for each compressor unit.



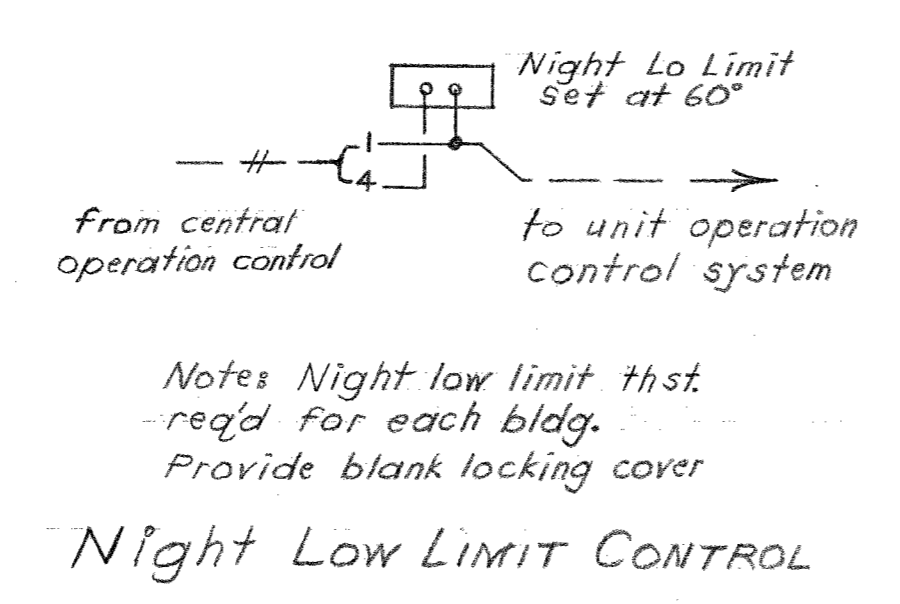
Classroom Bldg. Only
Units # U-3 (Heating only)
Control unit in girls toilet
from corridor thermostat.
Set th st at 60°



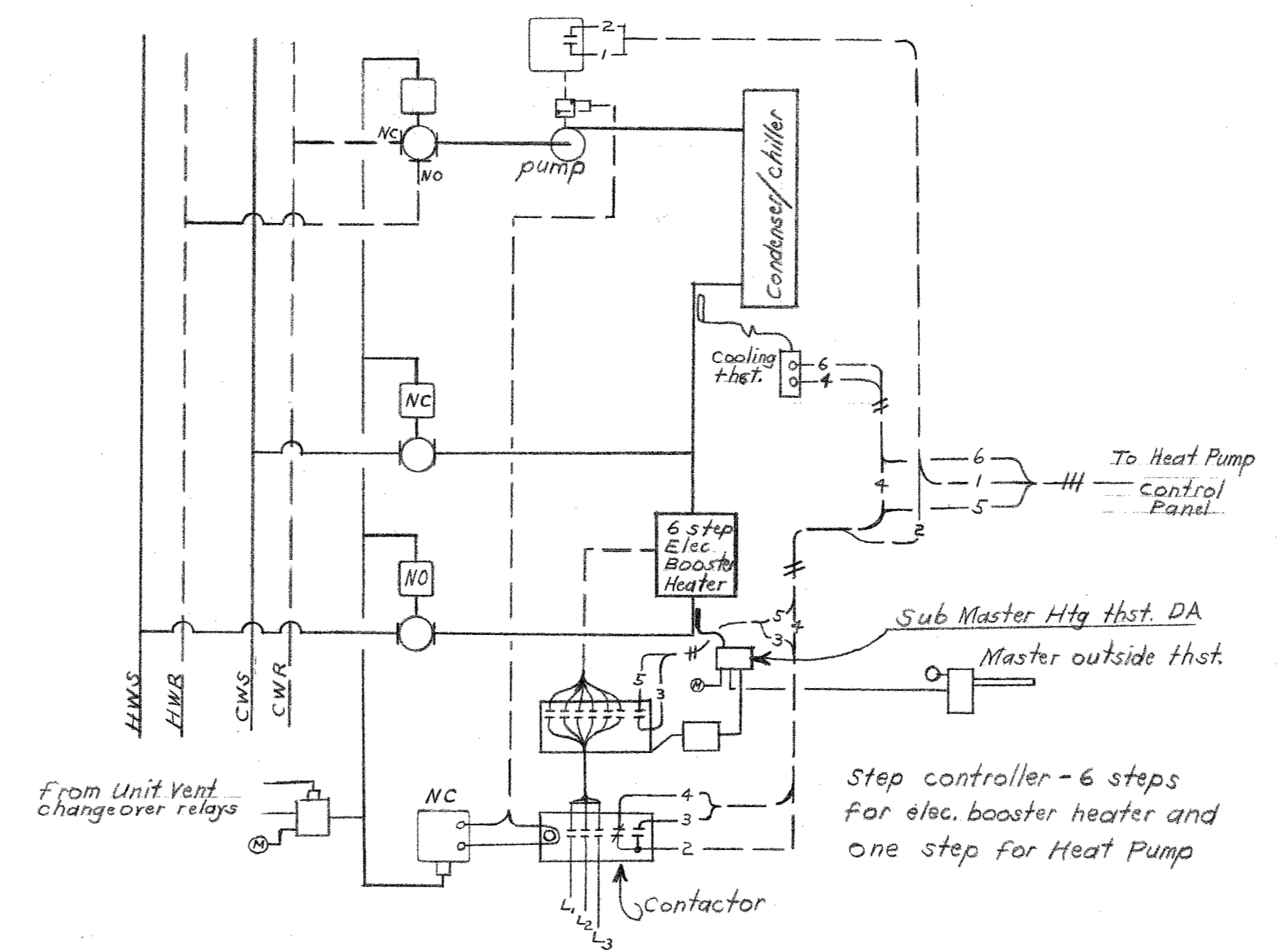
Adm Bldg Lobby Units Only
(Heating only) Set for 60°



Classroom Unit Ventilator Control



Notes Night low limit thst. req'd for each bldg.
Provide blank locking cover



Classroom Bldg. Heat Pump Control

TEMPERATURE CONTROL NOTES

- Install 7 day time switch for heating "system"
- " " " " ventilation system
- Provide Auto-off-on switches in each Bldg to by-pass clocks when in "off" or "on" position
- Use contactors for booster heaters unless step controller contacts can switch 5000 watts directly
- Install 12 step controller for dom. H.W.
- Operate MP room exh dampers (4 sets) coop with mixing dampers



NEW SCHOOL FOR DISTRICT 18
Washington County Oregon
PLUMBING + HEATING
PLOT PLAN and SCHEDULES
James C. Gardiner, Architect
Omer T. Jacobson, Engineer
January 1960

Sheet M-1